

CONNECTION	SIGNAL	DESCRIPTION
J1 +	PWR	This pin should be connected to the positive output of the driver power source. The maximum applied voltage should not exceed +50 VDC.
J1 -	GND	This pin should be connected to the negative output of the driver power source.
J4 +	CMD1	The command for Device-1 should be connected to this pin. The range of the input is zero to +5 VDC.
J4 -	GND	This pin may be used as the return for CMD1.
J6 +	CMD2	The command for Device-2 should be connected to this pin. The range of the input is zero to +5 VDC.
J6 -	GND	This pin may be used as the return for CMD2.
J2 +	PWR	This pin should be connected to one terminal of Device-1.
J2 -	DEV1	This pin should be connected to the other terminal of Device-1
J3 +	PWR	This pin should be connected to one terminal of Device-2.
J3 -	DEV2	This pin should be connected to the other terminal of Device-2.

### Pulse Width Modulator PWM-01 and PWM-02 Pin Assignment and Description

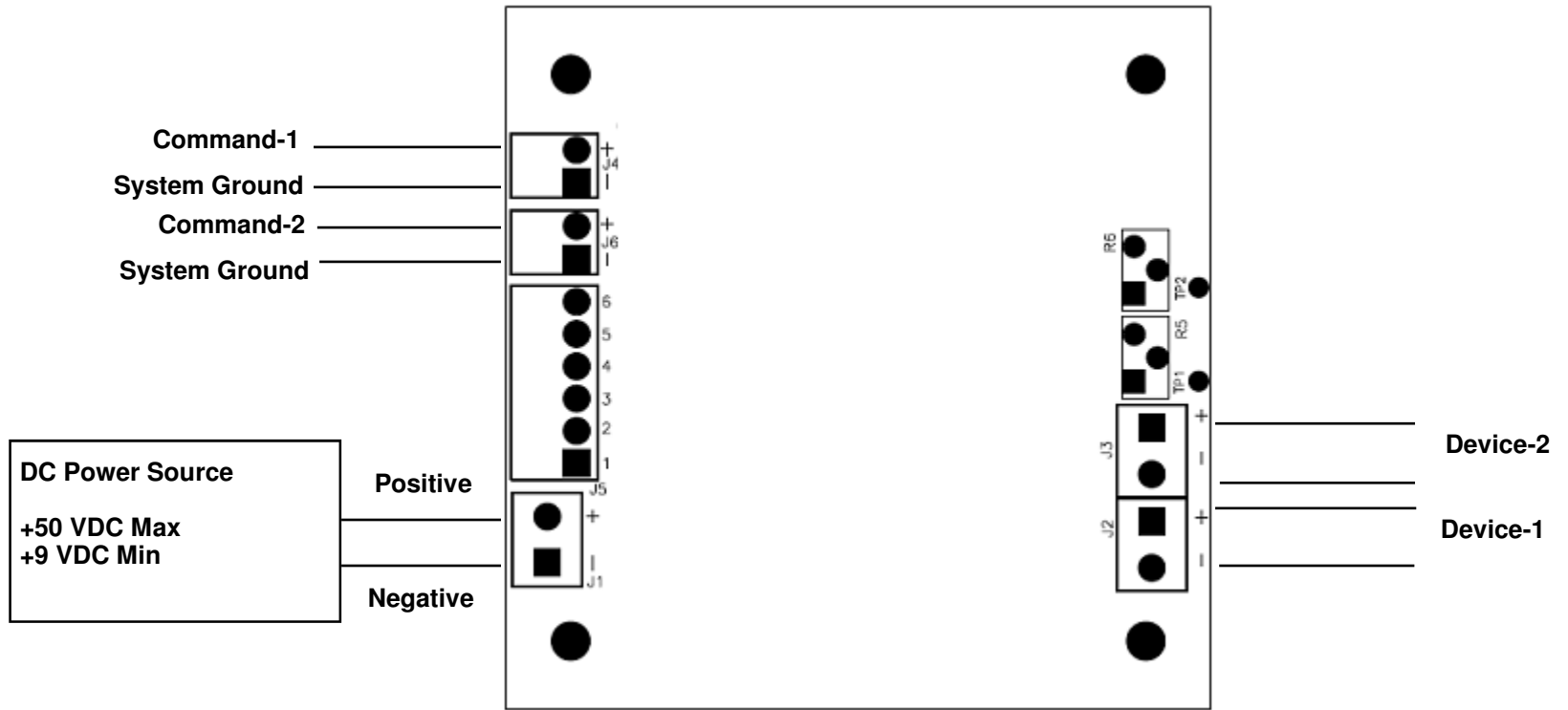


**Optimal Engineering Systems, Inc.**  
 6901 Woodley Avenue  
 Van Nuys, California 91406 U.S.A.  
[www.oes-site.com](http://www.oes-site.com)

+1 (818) 222-9200  
 FAX +1 (818) 436-0446  
 E-mail [oes@oes-site.com](mailto:oes@oes-site.com)

**Warning:**

Handling the PWM module shall be performed in a static safe environment while a ground strap is used. Damages arising due to not observing the static pre-cautions shall void the limited ninety-day warranty.



**PWM-02 Wiring Diagram**

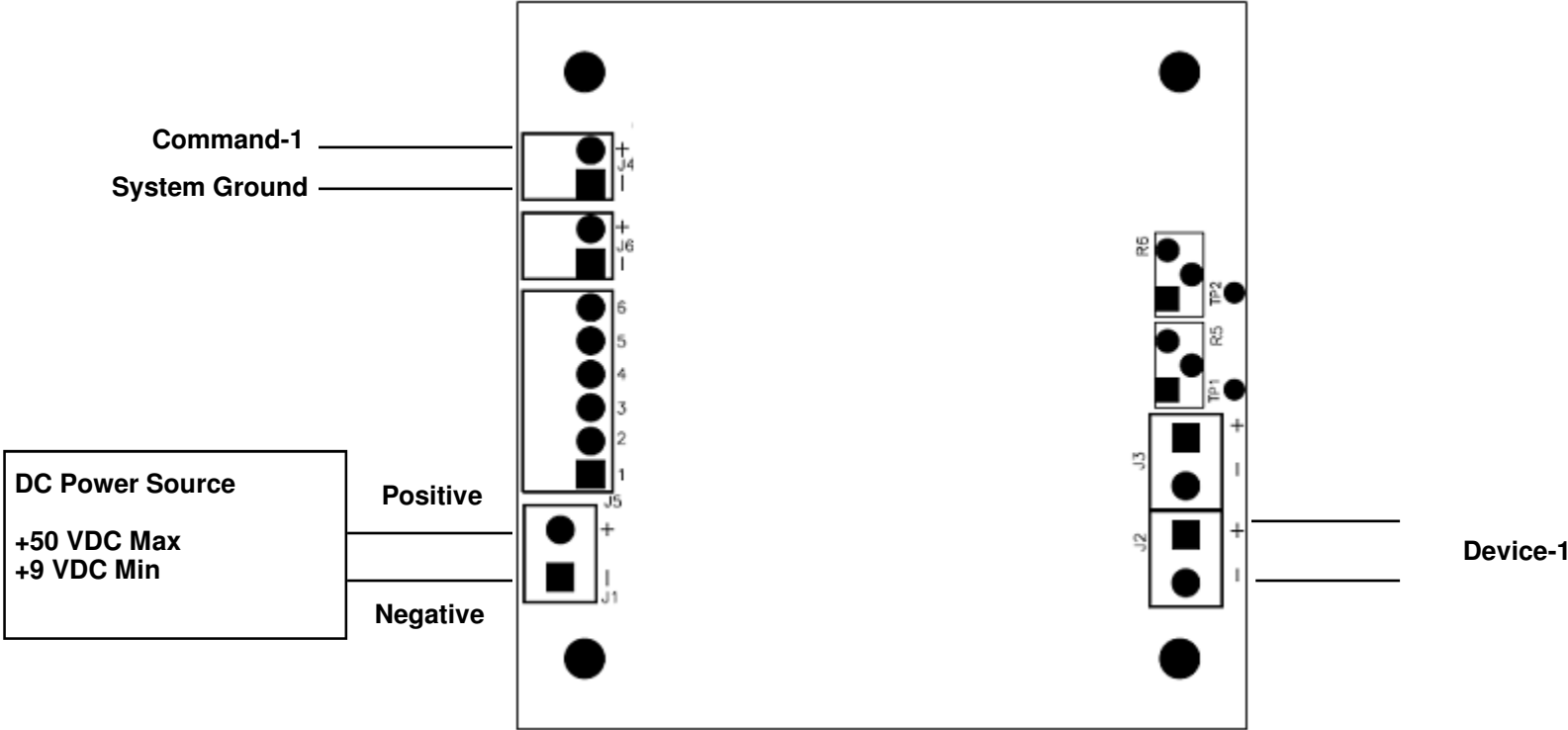


**Optimal Engineering Systems, Inc.**  
6901 Woodley Avenue  
Van Nuys, California 91406 U.S.A.  
[www.oes-site.com](http://www.oes-site.com)

+1 (818) 222-9200  
FAX +1 (818) 436-0446  
E-mail [oes@oes-site.com](mailto:oes@oes-site.com)

**Warning:**

Handling the PWM module shall be performed in a static safe environment while a ground strap is used. Damages arising due to not observing the static pre-cautions shall void the limited ninety-day warranty.



**PWM-01 Wiring Diagram**



**Optimal Engineering Systems, Inc.**  
6901 Woodley Avenue  
Van Nuys, California 91406 U.S.A.  
[www.oes-site.com](http://www.oes-site.com)

+1 (818) 222-9200  
FAX +1 (818) 436-0446  
E-mail [oes@oes-site.com](mailto:oes@oes-site.com)

## **Limitation of Liability**

Optimal Engineering Systems, Inc. (OES) hardware and software are not intended for use in any manner where human life or safety is at risk. OES' products are not intended for life support equipment.

In no event shall Optimal Engineering Systems, Inc. be liable to any customer for costs or damages, including lost profits, lost savings or other incidental or consequential damages arising out of the use or inability to use such products even if Optimal Engineering Systems, Inc. or an authorized Optimal Engineering Systems, Inc. representative has been advised of the possibility of such damages, or for any claim by any other party. In any event, Optimal Engineering Systems liability arising in any manner in connection with the products, whether based in contract, product liability or tort, shall not exceed the purchase price of the product.

## **Limited Ninety-Day Warranty**

Optimal Engineering Systems, Inc. warrants to the original purchaser that this product to be free from defects in material or workmanship for a period of ninety days from date of purchase. Optimal Engineering Systems, Inc. agrees to repair any such defect or exchange the product with a new or equal replacement. Defective product must be returned to Optimal Engineering Systems, Inc. postpaid. This warranty is void for any product that has been modified by the customer in any way. If failure of the Product has resulted from accident, abuse, or miss-application, Optimal Engineering Systems, Inc. shall have no responsibility under this Ninety-day Warranty.



**Optimal Engineering Systems, Inc.**  
6901 Woodley Avenue  
Van Nuys, California 91406 U.S.A.  
[www.oes-site.com](http://www.oes-site.com)

+1 (818) 222-9200  
FAX +1 (818) 436-0446  
E-mail [oes@oes-site.com](mailto:oes@oes-site.com)